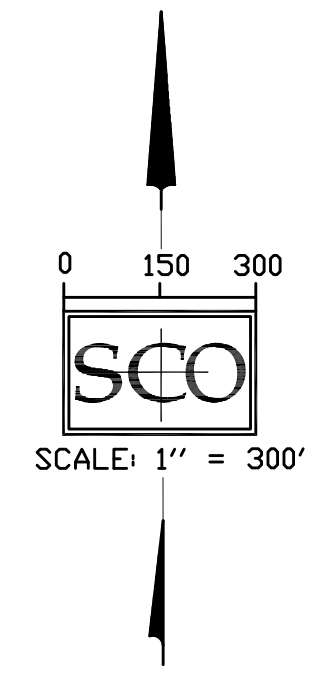
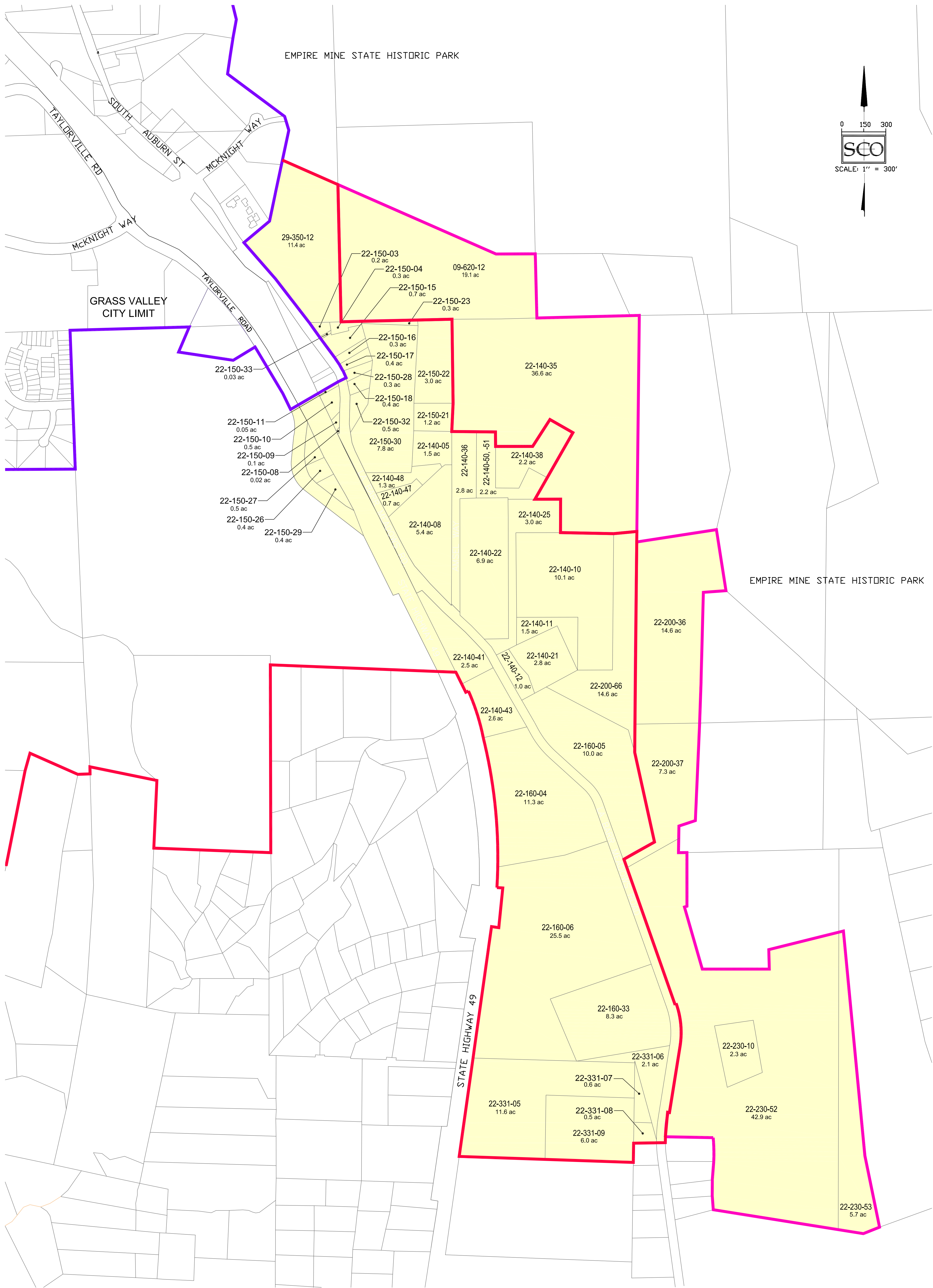


CITY OF GRASS VALLEY SEWER FEASIBILITY BASE MAP

MAY, 2012 SCALE: 1"=500'



- LEGEND:**
- GRASS VALLEY CITY LIMITS
 - CITY SPHERE OF INFLUENCE - LONG TERM HORIZON (LT)
 - CITY SPHERE OF INFLUENCE -NEAR TERM HORIZON (NT)
 - PROPOSED STUDY AREA